

# Relief Valves for Gas & Cryogenic Systems

## 9400 Series Brass or Stainless Steel, Non-ASME

### Application

9400 series relief valves are specifically designed for vapor line safety relief applications and cryogenic liquid containers.

### Features

- All valves are cleaned and packaged for oxygen service per CGA G-4.1.
- Bubble tight at 95% of set pressure.
- Easy to read color coded psig / bar labels.
- Tamper resistant
- Adapters provide standard pipe thread connections for venting gas to the outdoors.
- Repeatable performance.
- 100% factory tested.
- Temperatures Range -320° to +165° F. (-196°C to +74°C)
- Rated for gas service only, not liquid.

### Materials SS Style

Body ..... Stainless Steel  
 Spring ..... Stainless Steel  
 Seat Retainer..... Stainless Steel  
 Pipe-Away Adapter..... Stainless Steel

### Materials PRV and B-Style

Body ..... Brass  
 Spring ..... Stainless Steel  
 Seat Retainer..... Brass  
 Pipe-Away Adapter..... Brass

### Flow Performance

- PRV and SS style flow at 0.783 SCFM Air/PSIA at 110% of set pressure.
- B-9425N flow of 6.7 SCFM Air/PSIA at 120% of set pressure.
- B-9426N flow of 11.0 SCFM Air/PSIA at 120% of set pressure

### Seat Material Option

F for Fluorosilicone for PRV and SS styles for 15-139psi.  
 T for PTFE for PRV and SS styles for 140-600psi  
 N for B-9425 and B-9426, Fluorosilicone seat, all set pressures.

### Drain Hole Option

Relief valves without pipeaway typically provided with drain holes, leave blank. P - for relief valves without drain hole, for example PRV9432TP350

**WARNING:** Inspection and maintenance of pressure relief valves is very important. Failure to properly inspect and maintain pressure relief valves could result in personal injuries or property damage. The useful safe service life of a pressure relief valve may be significantly affected by the service environment.

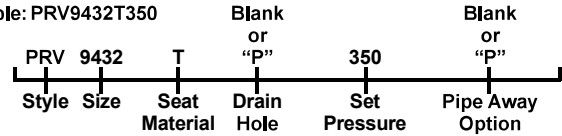
### Ordering Information

Style	Size	Inlet M.NPT A	Body and Valve Material	Pressure Setting Range PSIG	Height B	Wrenching Hex C	Orifice Size Sq. Inch	Pipe-Away Adapter P/N	Pipe-Away Outlet F,N,P,T.
PRV	9432	¼"	Brass	17-600	2.6"	⅞"	.062	B-9412-2	¾"
SS	9432	¼"	Stainless Steel	17-600	2.6"	⅞"	.062	SS-9412-4	½"
PRV	9433	⅜"	Brass	17-600	2.6"	⅞"	.062	B-9412-2	¾"
SS	9433	⅜"	Stainless Steel	17-600	2.6"	⅞"	.062	SS-9412-4	½"
PRV	9434	½"	Brass	17-600	2.8"	⅞"	.062	B-9412-4	½"
SS	9434	½"	Stainless Steel	17-600	2.8"	⅞"	.062	SS-9412-4	½"
B-	9425	¾"	Brass	50-300	3.4"	1¼"	.43	B-3131-10	1"
B-	9426	1"	Brass	75-300	5.5"	2¾"	.62	B-3132-10	1¼"

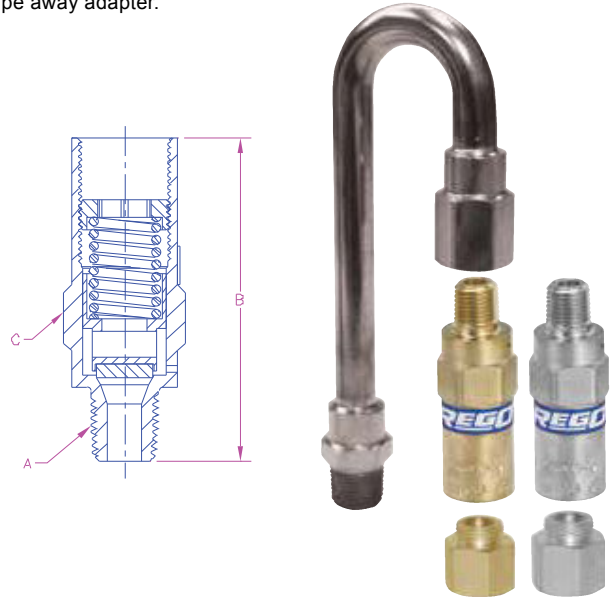
### Ordering Information

Fill in the blanks with options below.

Example: PRV9432T350



This example part number indicates a ¼" M.NPT PRV style brass relief valve with PTFE seat, set at 350 PSIG with drain hole and no pipe away adapter.



### Pipe Away Option

P Pipeaway included and attached, No drain hole in relief valve.  
 For example PRV9432TP350P  
 Leave blank for relief valve without pipe-away attached.  
 For example PRV9432TP350.

### Set Pressure

Specify set pressure within range specified for style and size. The B-9425 & B-9426N are available in select settings only. Special order.

For easy identification, the following standard settings have color coded labels for all PRV and SS Style sizes and settings marked in PSIG and bar:

### Color Identification

22 psig	230 psig
35 psig	350 psig
50 psig	450 psig
100 psig	500 psig
150 psig	

# ASME Relief Valves for Gas & Cryogenic Systems

## PRV 19430 Series Brass Relief Valves & PRV 29430 Series Stainless Steel Relief Valves

### Application

The 19430 and 29430 relief valves are designed for oxygen and other industrial gases and for cryogenic service in the vapor space. Apply on piping systems, liquid cylinders or mini-bulk cryogenic containers where an ASME relief valve is required.

### Features

- A.S.M.E. rated, National Board Certified.
- Bubble tight at 95% of set pressure.
- Full flow at 110% at set pressure.
- Repeatable performance.
- 100% factory tested.
- Temperatures Range -320° F to 165° F. (-196°C TO +74°C)
- Cleaned and packaged for oxygen service per CGA G-4.1.
- Rated for vapor service only, not liquid.

### Materials SS Style

Body .....	Stainless Steel
Spring .....	Stainless Steel
Seat Retainer.....	Stainless Steel
Pipe-Away Adapter .....	Stainless Steel

### Materials PRV and B-Style

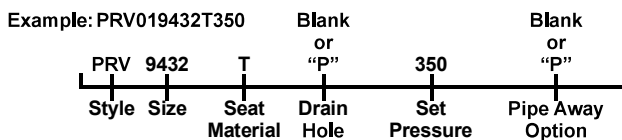
Body .....	Brass
Spring .....	Stainless Steel
Seat Retainer.....	Brass
Pipe-Away Adapter .....	Brass

### Flow Performance

PRV19430 and PRV29430 Series: 0.783 SCFM of air per PSIA of flow pressure. Flow pressure per ASME is 10% above set pressure.

### Ordering Information

Fill in the blanks with options below.



### Seat Material

F for Fluorosilicone for 90 to 139 psig set.  
T for PTFE for 140-600 psig

### Drain Hole

Leave blank for relief with drain hole. Insert P if no drain hole.

### Set Pressure

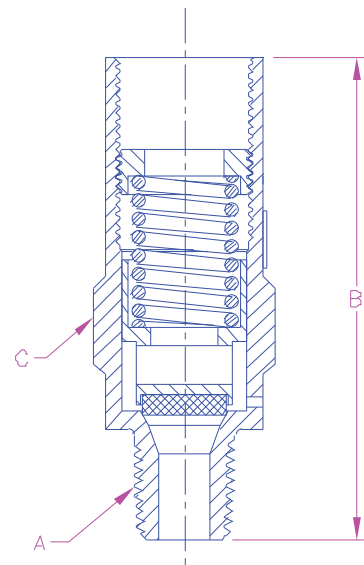
Enter number for set pressure in PSIG from 90 to 600.

### Ordering Information

Part Number	Inlet A	Height B	Wrenching Hex C	Orifice Size
PRV 19432	1/4"	2.6	7/8"	.062 sq. inch
PRV29432				
PRV 19433	3/8"	2.6	7/8"	.062 sq. inch
PRV29433				
PRV 19434	1/2"	2.8	7/8"	.062 sq. inch
PRV29434				



1943 Series



**WARNING:** Inspection and maintenance of pressure relief valves is very important. Failure to properly inspect and maintain pressure relief valves could result in personal injuries or property damage. The useful safe service life of a pressure relief valve may be significantly affected by the service environment.