

RegO® - Angle Pressure Relief Valve AR Series

Application

The ASME approved 90° relief valves AR Series, provide precise relief set points which protect cryogenic vessels and piping systems for over-pressurization.

Features

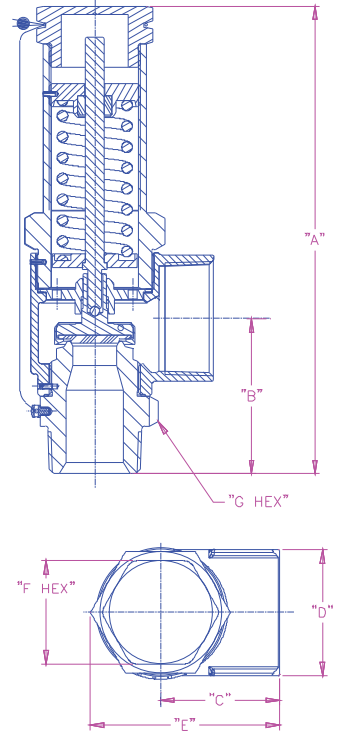
- High flow rates are approved by rigorous testing to ASME Code VIII.
- The ninety degree configuration provides relief of gases eliminating direct flow through the spring.
- Bubble tight seat provides 100% shut off when reseating or static mode.
- A variety of inlets and pressure settings assure adherence to application requirements.
- Temperature Range: -320°F (-196°C) to +165°F (+74°C)
- Cleaned for Liquid Oxygen Service per CGA G-4.1
- 100% Factory Tested.

Materials

Body	Bronze ASTM B61
Upper Body.....	Stainless Steel ASTM A582
Seat & Stem	Brass ASTM B16
Poppet Guide.....	Brass ASTM B16
Spring Retainer.....	Brass ASTM B16
Adjusting Screw.....	Brass ASTM B16
Cap	Brass ASTM B16
Ball.....	Stainless Steel
Upper Gasket	PTFE ASTM D4894
Lower Gasket	Copper ASTM B152-17
Spring	Stainless Steel ASTM A313



AR Series



Ordering Information

Part Number	Inlet Inches DN (mm)	Outlet Inches DN (mm)	Ends	A Inches (mm)	B Inches (mm)	C Inches (mm)	D Inches (mm)	E Inches (mm)	ASME Flow Capacity SCFM/Air @ 250 PSI *	Weight Lbs (Kg)
AR4104A	1/2" (15)	1" (25)	Thread NPT	6.03" (153.16)	1.97" (50.04)	1.63" (41.40)	1.63" (41.40)	2.49" (63.25)	406	2.75 (1.25)
AR4106A	3/4" (20)			451						
AR4108A	1" (25)	1 1/4" (32)		6.88" (174.75)	2.37" (60.20)	2.00" (50.80)	1.90" (48.26)	3.01" (76.45)	1,003	3.75 (1.70)
AR4112A	1 1/2" (38)	2" (50)		9.64" (244.86)	3.20" (81.28)	2.45" (62.23)	2.60" (66.04)	3.89" (98.81)	2,277	8.00 (3.63)

*Different PSI settings are available

